

IMPORTANT PRECAUTIONS

When using electrical appliances, especially when children are present, it is necessary to observe basic precautions.

To avoid electric shock:

- Before cleaning the appliance, disconnect it from the mains.
- Do not use the appliance in the bath or shower, do not drop it into water or other liquids.

Do not touch an electrical appliance that has fallen into the water!
Disconnect it from the network immediately.

To avoid burns, fire or injury:

- Use this appliance only for those purposes that described in this operating manual. Do not use devices that are not recommended by the manufacturer.
- Never leave this appliance plugged into the mains unattended.
- When the appliance is used by children or disabled people, careful monitoring of its operation is necessary.
- Never operate the appliance if the cord or plug is damaged.
- Keep the cord away from heated surfaces. Do not pull or bend the cord, and do not wind it on the appliance.
- Do not drop the appliance. Do not insert foreign objects into its holes
- Before using this appliance, make sure that the knives are properly adjusted.

Warranty obligations:

1. The manufacturer guarantees the operation of the product under the conditions of transportation, storage and operation.
2. Warranty obligations apply to all types of damage to the product provably caused by a manufacturing defect.
3. The warranty does not apply to mechanical damage to the product.
4. The warranty period of the product is 12 months from the date of sale.

The warranty does not apply to:

- Products, if malfunctions in them have arisen as a result of a violation rules of operation and transportation.
- Damage caused by excessive loads, improper handling, improper storage or maintenance, improper removal of the knife.
- For components worn out during operation that have a limited service life (POWER CORDS, brushes, plastic leashes, etc.)
- Damage caused by ingestion of foreign objects, substances, insects.
- Self-repair of the product or repair carried out in non-specialized workshops.

The consumer is deprived of the rights to warranty service in the following cases:

- when the warranty period expires;
- in the presence of mechanical damage to the outer parts of the product;
- in case of violation of the rules of operation.

Cleaning, lubrication of products, sharpening of knives after any period of operation are not included in the cost of warranty service.

To perform warranty repairs, you must present documents certifying the purchase of this product, this product instruction with the signature of the seller and the seal of the trading organization.

« _____ » _____ 20 ____ y.

« _____ » _____ 20 ____ y.

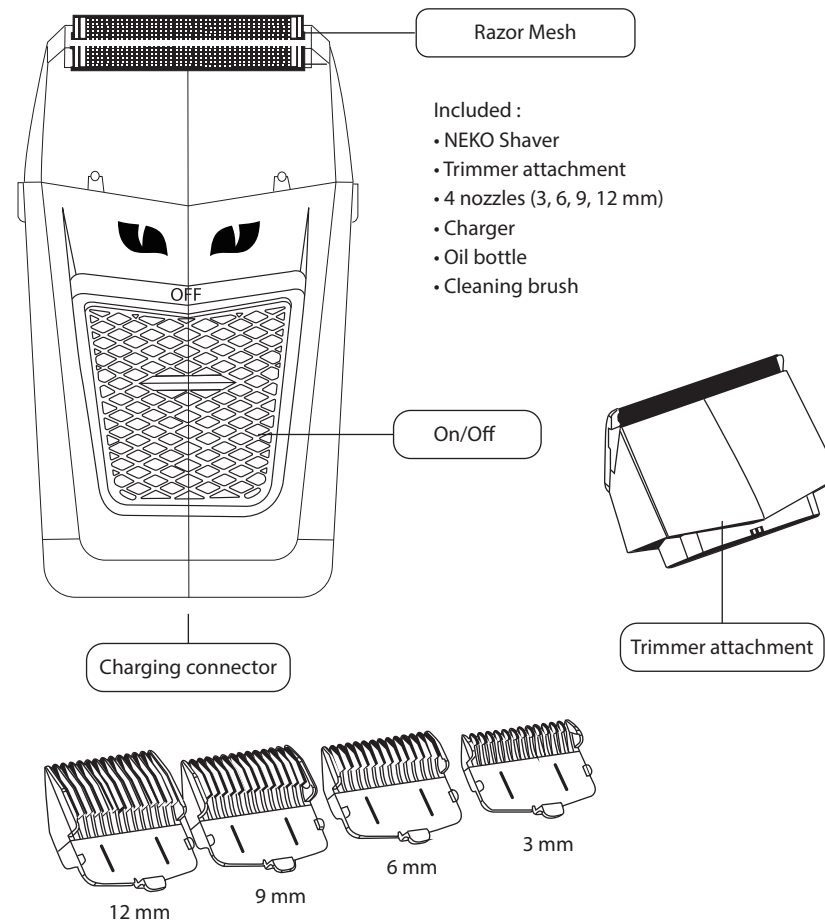
Seller _____ Signature _____

Seller _____ Signature _____

place for stamp

place for stamp

NEKO OWARI



Included :

- NEKO Shaver
- Trimmer attachment
- 4 nozzles (3, 6, 9, 12 mm)
- Charger
- Oil bottle
- Cleaning brush

TECHNICAL SPECIFICATIONS

Hair Shaver	Motor	Working voltage: 3.7 V Motor rotation speed: 7000 rpm
	Battery	Capacity: 600 mAh Charging time: 120 min Working time: 180 min
Adapter	Input: 100-240 V, 50-60 Hz Output: 5 V, 1000 MA	

OPERATING INSTRUCTIONS

Important!

The shaver was not charged at the factory. Please charge the shaver at least 1.5 hours before the first use to achieve maximum performance.

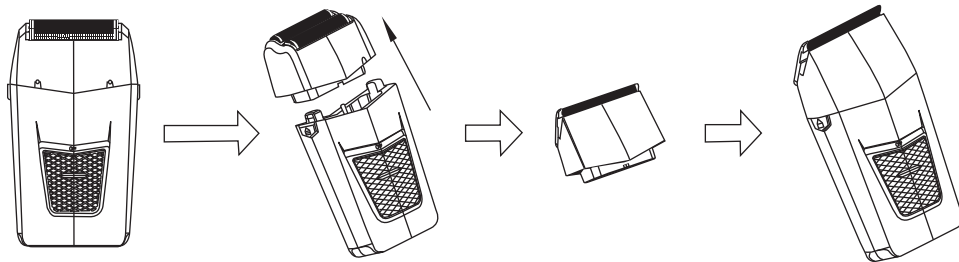
Charging method

1. Remove the shaver and charger from the box.
2. Plug the charger into an outlet.
3. Make sure the switch is in the "OFF" position after start charging.
4. The green charging indicator will light up indicating the charge status.
5. After the battery is fully charged, the charging indicator will go off.

If the razor should remain unused for a long period of time, store it in a safe, cool, dry place. Do not wrap the cord tightly around the razor. Do not hang the razor by the power cord.

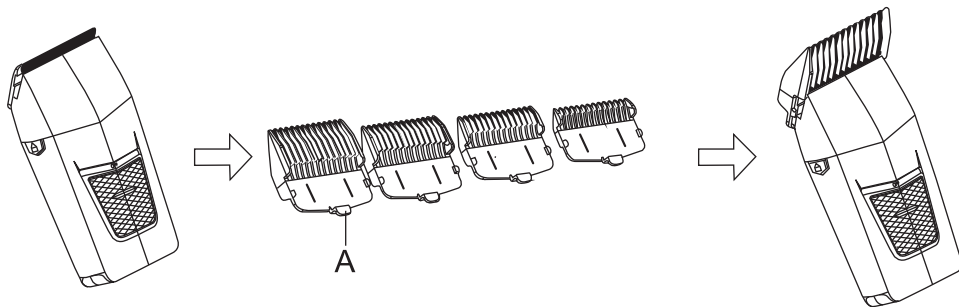
Replacement of the cutting head

1. Remove the cutting head by pressing the lock buttons located on the sides of the shaver. Grasp the cutting head on both sides and carefully remove it from the shaver.



Installation of comb attachments

1. Install the nozzle on the cutting head of the shaver along the guides and press on the back of the comb nozzle until it snaps into place.
2. To remove the comb attachment, pull the tongue on the back side (in Figure A)



Cleaning method.

Regular cleaning of the device is necessary to maintain optimal performance and maximum safety of your shaver. Do not wet the shaver, razor nets or knives! Use a special brush for cleaning (included)

Cleaning the shaver.

1. Remove the cutting head by pressing the lock buttons located on the sides of the shaver. Grasp the cutting head on both sides and carefully remove it from the shaver.
2. Gently tap the base of the cutting head on a flat surface so that the hairs inside fall out. Do not remove the mesh, otherwise it may be damaged.
3. Brush the hair from the knives. If necessary, you can remove them from the razor for better cleaning.
4. Install the cutting head on the shaver.

Important!

To achieve the best shaver performance and best shaving results, it is recommended to replace the cutting head and knives every six months.